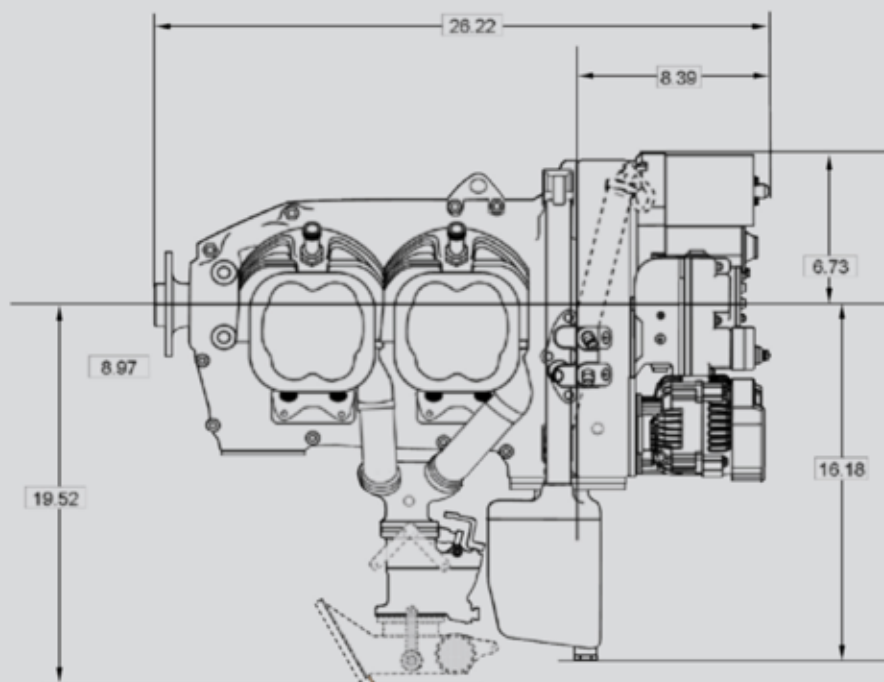




Continental Motors, Inc.

200 SERIES



Engine Specifications

Maximum Horsepower: 95 to 125

Maximum Rated RPM: 2750 to 2800

Cylinders: 4

Bore / Stroke (inches): 4.06/3.88 (200) / 4.44/3.88 (240)

Compression Ratio—Naturally Aspirated: 7.0:1 (200) / 8.5:1 (O200D & 240)

Fuel System: Continental Fuel injection or Carburetion

Dry Weight (pounds): 170.18 to 205

Height (inches): 23.18 to 23.5

Width (inches): 31.56 to 31.4

Length (inches): 28.53 to 29.8

Turbo Model Available: No

Hours to TBO: 1800 to 2000

Model	Cylinders	METO Power HP@RPM	Bore & Stroke	Displacement Cubic Inches	Dry Weight Including Accessories	Fuel Grade	Comp. Ratio	Recommend TBO Hours/ Years
O-200-AF	4	95 @ 2750	4.06 X 3.88	200	199	Unleaded AV Gas	7.0:1	2000/12
O-200-A & B	4	100 @ 2750	4.06 X 3.88	200	224	80/87	7.0:1	1800/12
O-200-D,X	4	100 @ 2750	4.06 X 3.88	200	199	100/100LL	8.5:1	2000/12

Model	Cylinders	METO Power HP@RPM	Bore & Stroke	Displacement Cubic Inches	Dry Weight Including Accessories	Fuel Grade	Comp. Ratio	Recommend TBO Hours/ Years
IO-240-A & B	4	125 @ 2800	4.44 X 3.88	240	240	100/100LL	8.5:1	2000/12
IOF-240-B	4	125 @ 2800	4.44 X 3.88	240	248	100/100LL	8.5:1	2000/12